

xTOOL Concealed thermostat module with 3 valves -

35 547 970



- red brass, lead-free
- 2x back flow preventer
- integrated pre-seals
- 1/2" connection
- 3/4" (cold/hot) connection
- thermostat cartridge
- 2x head part with cut-to-length spindle and sleeve
- 3x dust cover
- 2x anti-water packing
- soundproofing
- gauge 120 mm

Recommended miscellaneous

Extension 28 mm -

12 177 970 90



Recommended miscellaneous

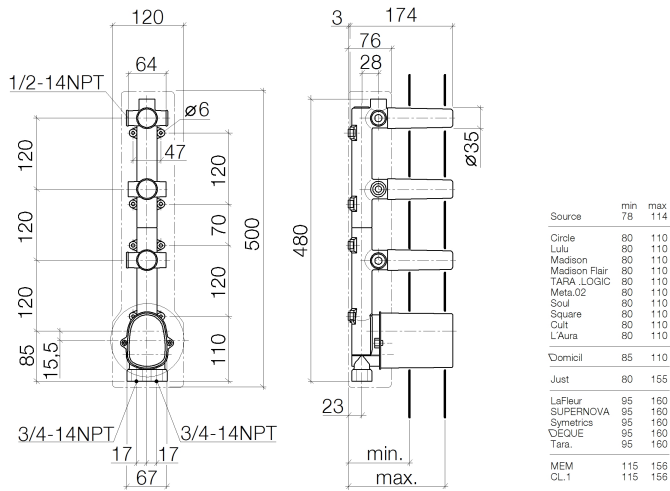
Extension 46 mm -

12 178 970 90

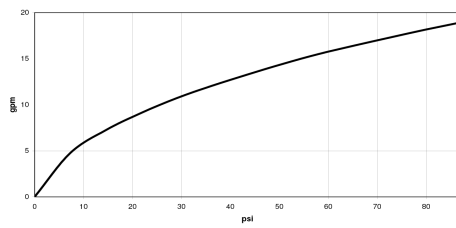


xTOOL Concealed thermostat module with 3 valves -

35 547 970



Flow rate chart

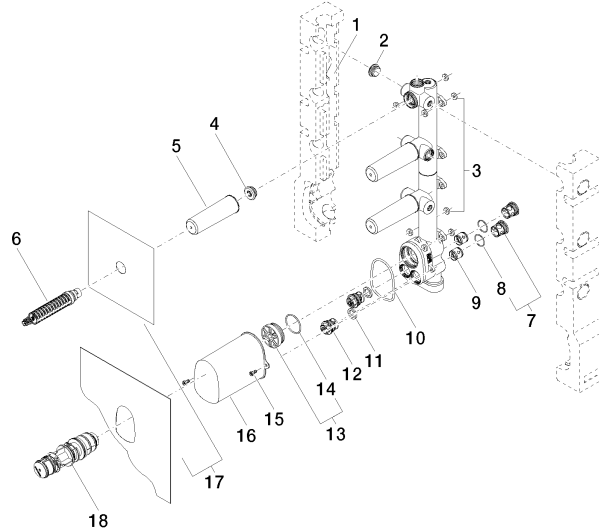


Certificates

IAPMO_4976 (3).

xTOOL Concealed thermostat module with 3 valves -

35 547 970



Spare parts list

No.	Item Number	Name	Quantity used	Delivery time
1	09 11 11 009 90	accessories	1	2
2	04 31 20 062 10 90	plug	4	2
3	04 14 05 045 00 90	set	1	2
4	04 31 20 006 00 90	plug	3	2
5	09 21 02 102 90	cap	3	2
6	90 90 03 143 00 90	top	3	2
7	04 21 34 077 00 90	nipple	2	2
8	09 14 10 098 90	seal	2	2
9	90 23 01 045 00 90	back-flow preventer	2	2
10	09 14 10 189 90	seal	1	2
11	09 14 05 002 90	seal	2	2
12	90 29 05 031 00 90	insert	2	2
13	04 31 20 100 00 90	plug	1	2
14	09 14 10 111 90	seal	1	2
15	90 30 30 027 00 90	screw	2	2
16	09 21 02 103 90	cap	1	2
17	04 14 03 073 07 90	gasket kit	1	2
18	90 15 02 065 00 90	cartridge	1	2